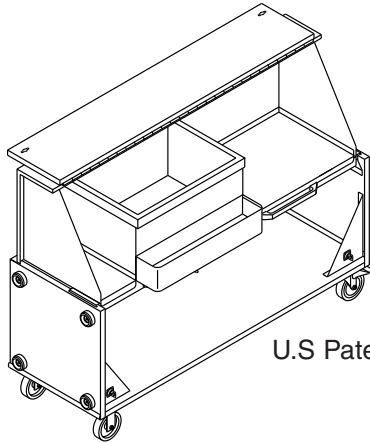


STOW-AWAY

**PORTABLE
BAR**



U.S Patent No. 5,281,016

Model No.:

PB5-24IB-BK

PB5 (without Ice Bin)

“The Storable Portable Bar”

- Cabinet - Heavy gauge, black vinyl clad aluminum exterior surfaces
- Heavy gauge 304 stainless steel work surface and storage base (In open position, base provides large storage area for glasses, bottles, etc.)
- 5" (12.7 cm) casters - 2 fixed; 2 locking brake and swivel
- 304 stainless steel, 24" (61 cm) insulated ice bin (11" deep [27.9 cm]) with 1 1/2" (3.81 cm) standard male pipe thread with drain shut off
- 24" (61 cm) keyhole speedrail
- Perimeter trim bumper
- Lockable cabinet latches
- Optional accessories -- condiment tray(s), ice chest cover

W6636 L. B. White Road

Onalaska, WI 54650

PHONE 608-783-2800

TOLL FREE 800-345-0018

FACSIMILE 608-783-6115

mail@lacrossecooler.com



SPECIFICATIONS

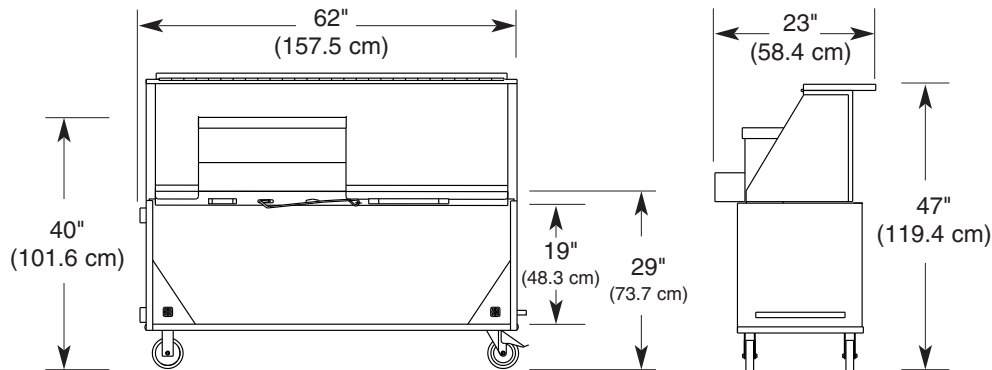
PORTABLE BAR

Model No.:

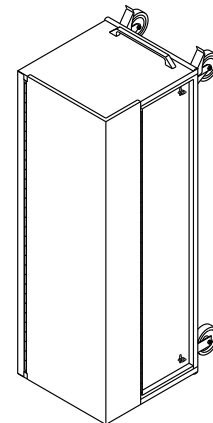
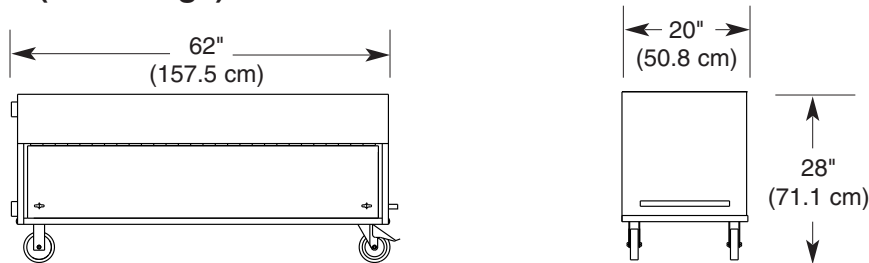
PB5-24IB

PB5 (without Ice Bin)

Open



Closed (for storage)



Stands on end
for storage.

Weight - 140 lbs.
(64 kilos)

Contact factory or local representative for further information.

Since La Crosse has a policy of continuous product improvement, it reserves the right to change design and specifications without notice.

W6636 L. B. White Road
Onalaska, WI 54650

PHONE 608-783-2800
TOLL FREE 800-345-0018
FACSIMILE 608-783-6115
mail@lacrossecooler.com

